

**1/2" Super Flexible Jumper Cable (L = 1.5 +/- 0.05 meters)  
Low Smoke Halogen-Free Coaxial Cable  
N-Male Straight and N-Male Straight**

**Electrical Specifications**

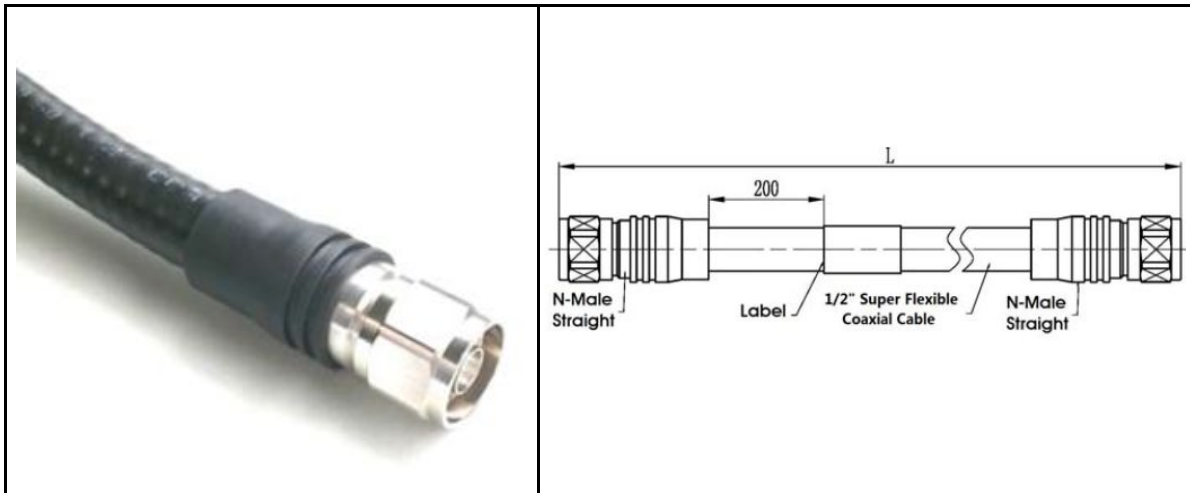
Working Frequency	0 - 3.0 GHz
Characteristic Impedance	50±2Ω
Insulation Resistance	5000 MΩ
VSWR	≦1.20 (for all cellular bands)
	≦1.15 (typical)
3rd Passive Inter-modulation (2 x 43 dBm)	≦ -155 dBc (for all cellular bands)
Insertion Loss (1.5 meter length)	≦ 0.19 dB (for 400-500MHz)
	≦ 0.20 dB (for 800MHz)
	≦ 0.21 dB (for 900MHz)
	≦ 0.35dB (for 1800MHz)
	≦ 0.25 dB (for 1900-2000MHz)
	≦ 0.40 dB (for 2100-2300MHz)
	≦ 0.43 dB (for 2400-2500MHz)
	≦ 0.45 dB (for 2600-2700MHz)
≦ 0.47 dB (for 3000MHz)	
Velocity	84%
Rated Voltage	2.7 kV
Cut-off Frequency	> 8 GHz

**Mechanical Specifications**

Interface Durability	100 Cycles
Smallest Bending Diameter( Multiple)	50 mm
Tensile Strength	900 N
Torque Resistance	35 Nm
Length	1.5 m
Weight	0.4 Kg
Water Resistance	IP68
Operating Temperature	-40 ~ +85 °C

**Material & Plating**

<p>Jacket Material</p>	<p>Black Polyethylene          Low Smoke, Halogen-Free Standard          IEC60332-1-2CIEC60332-3-24, IEC61034-2,          IEC60754-1, IEC60754-2</p>
------------------------	--



**Package Information**

<p>Carton Information</p>	<p>Carton Size: 0.44x0.44x0.23m          NW: 8.0 kg/GW: 9.1 kg          20 pcs / carton</p>
---------------------------	---