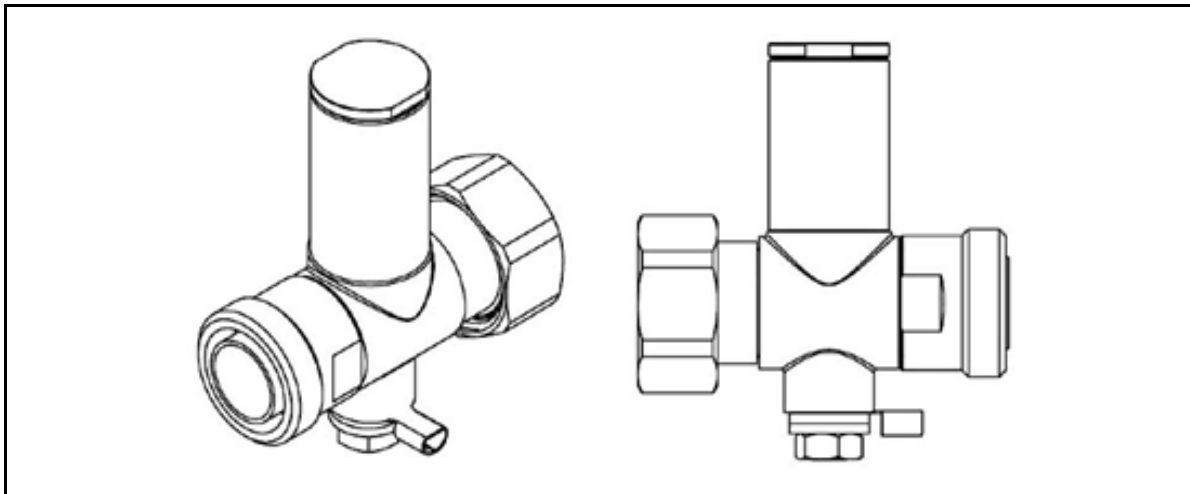


1/4λ Surge Arrestor Wide Band Non-directional Din Male / Female
Electrical Specifications

Working Frequency	800 - 960 / 1710 - 2200 MHz
Characteristic Impedance	50 Ω
VSWR	≤ 1.2
Return Loss	≤ -28 dB
Insertion Loss	≤ 0.15 dB
PIM @2*20 W	> 150 dBc
Nominal Discharge Current (8/20 μS)	30 kA
Max. Discharge Current (8/20 μS)	60 kA
Max. Output Power	2500 W

Mechanical Specifications

Connectors	DIN Male / Female
Net Weight	545 g
IP Grade	IP67
Working Temperature	-40 °C ~ +100 °C


Installation

1. Installed to Grounding Cables.
2. IMPORTANT: Grounding Surface Area Minimum 2.5 mm.

Maintenance

1. 1/4 Wavelength Design, No Replacement Needed after Multiple Strikes.
2. Routine Testing Standard: Resistance on outer conductor of cable should be lower than 0.5 mΩ. Otherwise, grounding needs to be checked or arrestor needs to be replaced.
3. Inspection & Testing: Inspection and testing needed after strike or strikes.